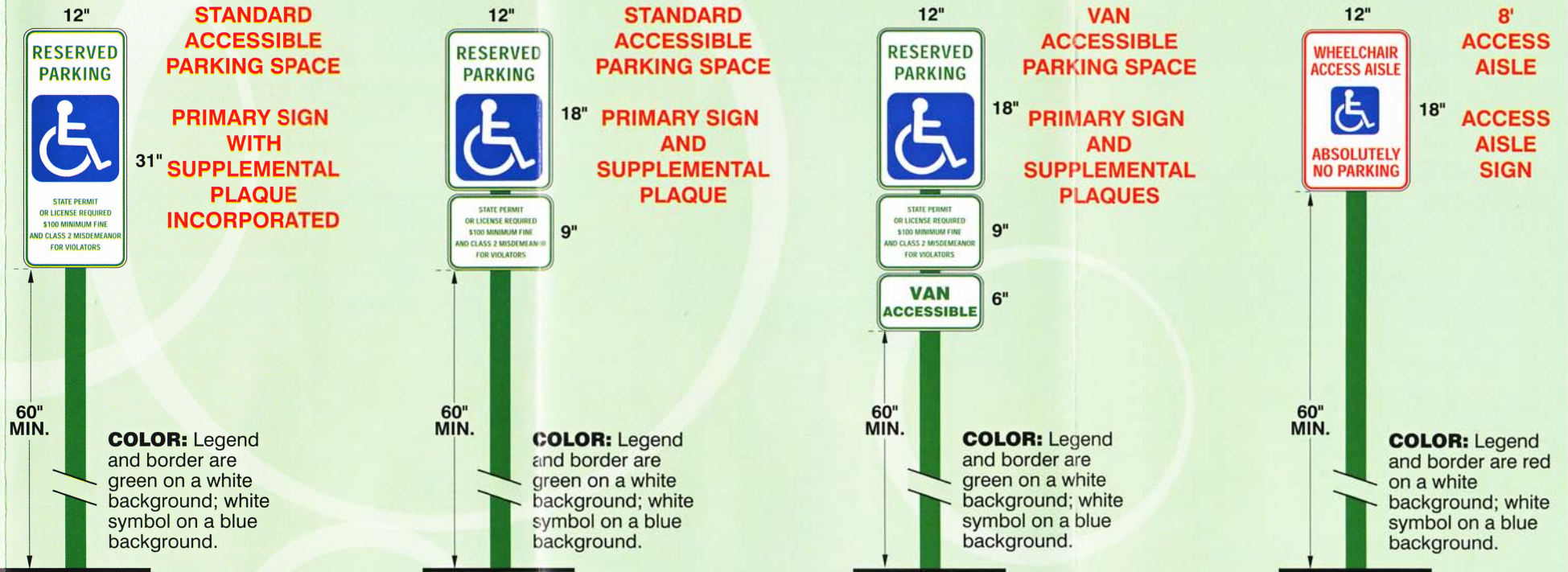


ACCESSIBLE PARKING SPACE AND ACCESS AISLE REQUIREMENTS



LOCATION AND ROUTE, CONTINUED

requirements.

Accessible parking spaces may be clustered in one or more lots if equivalent or greater accessibility is provided in terms of distance from the accessible entrance, parking fees, and convenience.

SIGN DETAILS

The bottom of the lowest sign shall be a minimum of 60 inches from the pavement. Signs may be mounted higher for better visibility. Standard and van-accessible parking space signs must state, "RESERVED PARKING" and include the Universal Symbol of Accessibility. Supplemental signage

must state, "STATE PERMIT OR LICENSE REQUIRED. \$100 MINIMUM FINE AND CLASS 2 MISDEMEANOR FOR VIOLATORS." A van-accessible parking space must state, "VAN ACCESSIBLE." An 8-foot access aisle must state, "WHEELCHAIR ACCESS AISLE. ABSOLUTELY NO PARKING" and include the Universal Symbol of Accessibility. The appropriate sign colors are explained above.

ACCESS AISLES AND MARKINGS

Each aisle must be part of the accessible route and shall extend the full length of the parking space they serve. The aisle must have diagonally-striped markings spaced every four feet. Boundaries of the

access aisle must be marked. The end may be a squared or curved shape. Two parking spaces may share an access aisle.

GROUND SURFACE

Parking spaces, passenger loading zones, and access aisles shall be placed on a level surface with a slope not steeper than 1:50.

PASSENGER LOADING ZONES

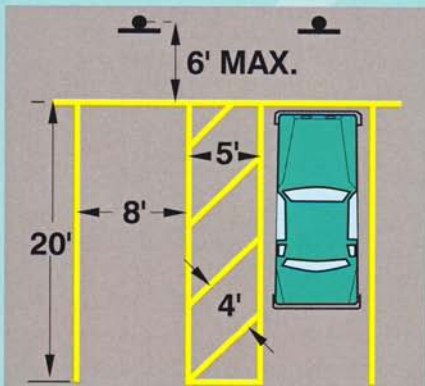
Medical facilities: A passenger-loading zone must be provided at an accessible entrance to medical and long-term care facilities where people receive physical or medical treatment or care and where the period of stay exceeds 24 hours. At least one acces-

sible entrance shall feature a canopy. **Valet Parking:** A passenger-loading zone must be provided at valet parking services.

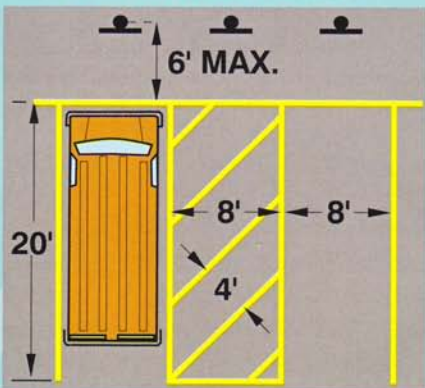
OTHER REQUIREMENTS:

All parking spaces must be hard-surfaced. All spaces must be marked by paint or other approved marking device upon the surface. Surface runoff must be controlled. Parking spaces, bordering a sidewalk, must provide some type of wheel stop, e.g., curb, bumper blocks, etc. Parking lots must be maintained in an orderly manner, as free as possible from snow and ice. All signs, markings, and surfacing must be neat and in good condition.

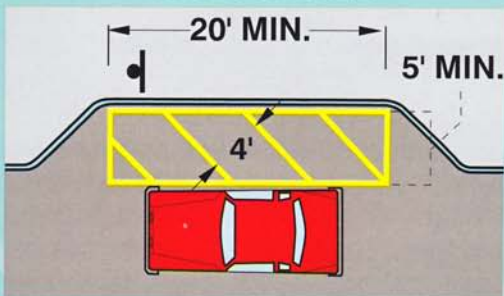
STANDARD ACCESSIBLE PARKING SPACES



VAN ACCESSIBLE PARKING SPACES



PASSENGER LOADING ZONE ACCESS AISLE



Accessible parking for individuals with disabilities

Requirements for employee and visitor parking lots

REQUIRED

Any facility offering parking for employees or visitors must provide accessible parking for individuals with disabilities.

ACCESSIBLE PARKING SPACE

An accessible parking space consists of a vehicle space with proper signage, and a striped access aisle with proper signage. The entire space must be kept clear of obstructions at all times, including ice, snow, shopping carts, trash cans, potted plants, seasonal garden displays, bicycle racks, etc. An access aisle does not have a wheel stop.

LOCATION AND ROUTE





Accessible parking spaces must be located on the shortest accessible route of travel to an

accessible facility entrance. Where buildings have multiple accessible entrances with adjacent parking, the accessible parking spaces must be dispersed and located closest to the accessible entrances.

When accessible parking spaces are added in an existing parking lot, locate the spaces on the most-level ground close to the accessible entrance. An accessible route must always be provided from the accessible parking to the accessible entrance. An accessible route never has curbs or stairs, must be at least 3 feet wide, and has a firm, stable, slip-resistant surface. The slope along the accessible route should not be greater than 1:20 in the direction of travel. (A slope of 1:12 is acceptable with additional

CONTINUED INSIDE

Required Accessible Parking Spaces

Total Parking in Lot	Standard Accessible Parking Spaces	Van Accessible Parking Spaces	Required Minimum Number of Accessible Parking Spaces
1 to 25	0	1	1
26 to 50	1	1	2
51 to 75	2	1	3
76 to 100	3	1	4
101 to 150	4	1	5
151 to 200	5	1	6
201 to 300	6	1	7
301 to 400	7	1	8
401 to 500	7	2	9
501 to 1000			2% of total
1001 and over			20 plus 1 for each 100 over 1000

Note: Medical facilities require additional accessible parking spaces. Please call for more information. Additional van-accessible spaces may replace standard accessible parking spaces.